

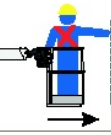
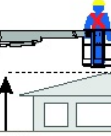


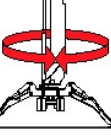
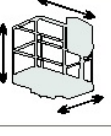



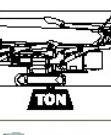

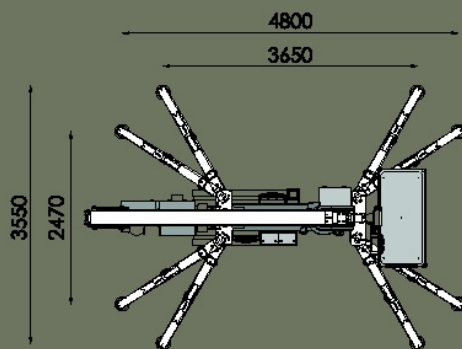
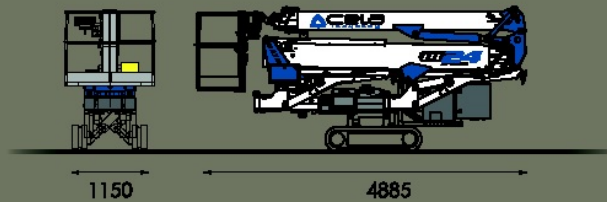
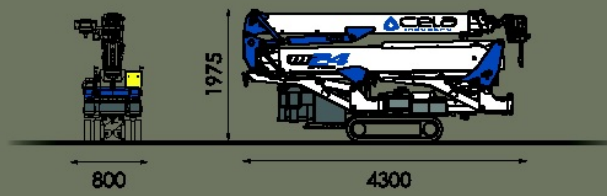
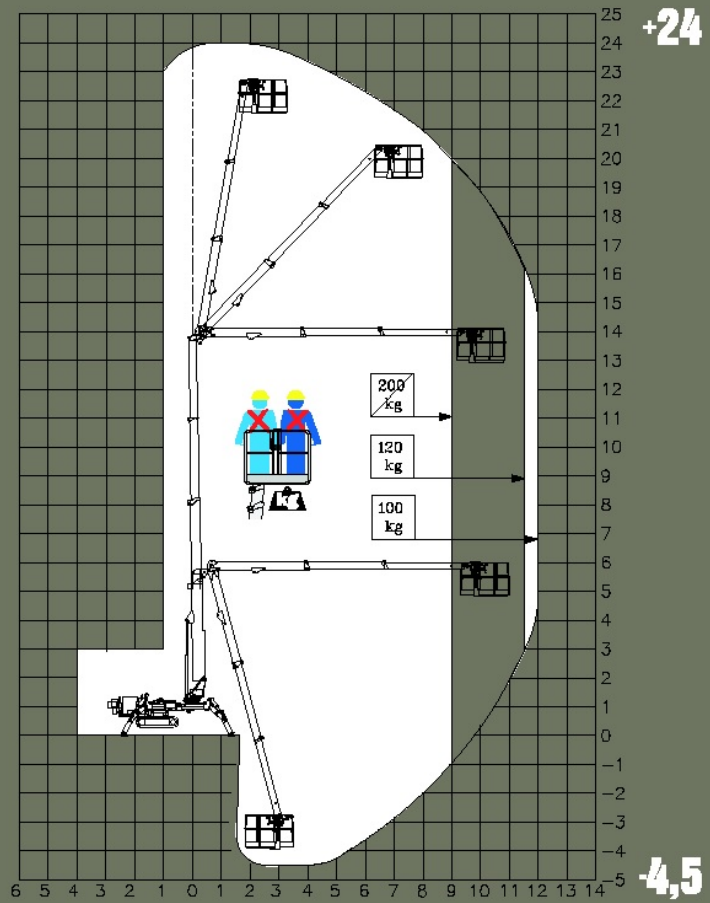




|   |   |
|---|---|
|    | 24,00 m                                   |
|    | 22,00 m                                   |
|    | 12,00 m                                   |
|    | 14,00 m                                   |
|    | -4,50 m                                   |
|   | 200 kg                                    |
|  | 360°                                      |
|  | 0,7X0,7X1,1<br>1,4X0,7X1,1<br>1,8X0,7X1,1 |
|  | ALUMINIUM                                 |
|  | 90°+90°                                   |
|  | ELECTRONIC<br>+ RADIO                     |
|  | 2,8 T                                     |
|  | 230 kg                                    |



**DT 24**  
SPYDER





{gallery/DT24spy/gallery}



[Download schede tecniche](#)